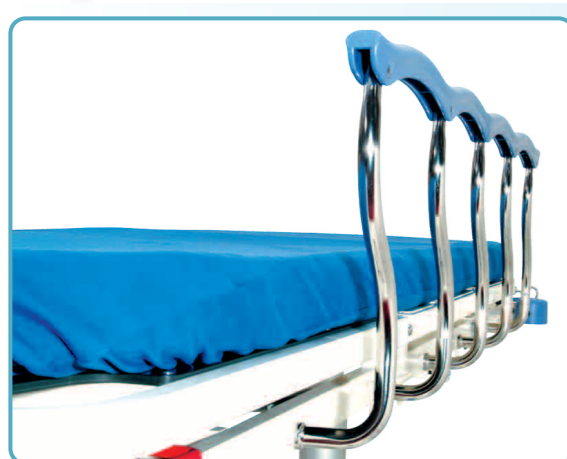




1. Features



Wave-Shape Siderail

Collapsible stainless siderail with ABS wave-shape handle which is rusty-proof and easy to hold and clean.



Safety Knob

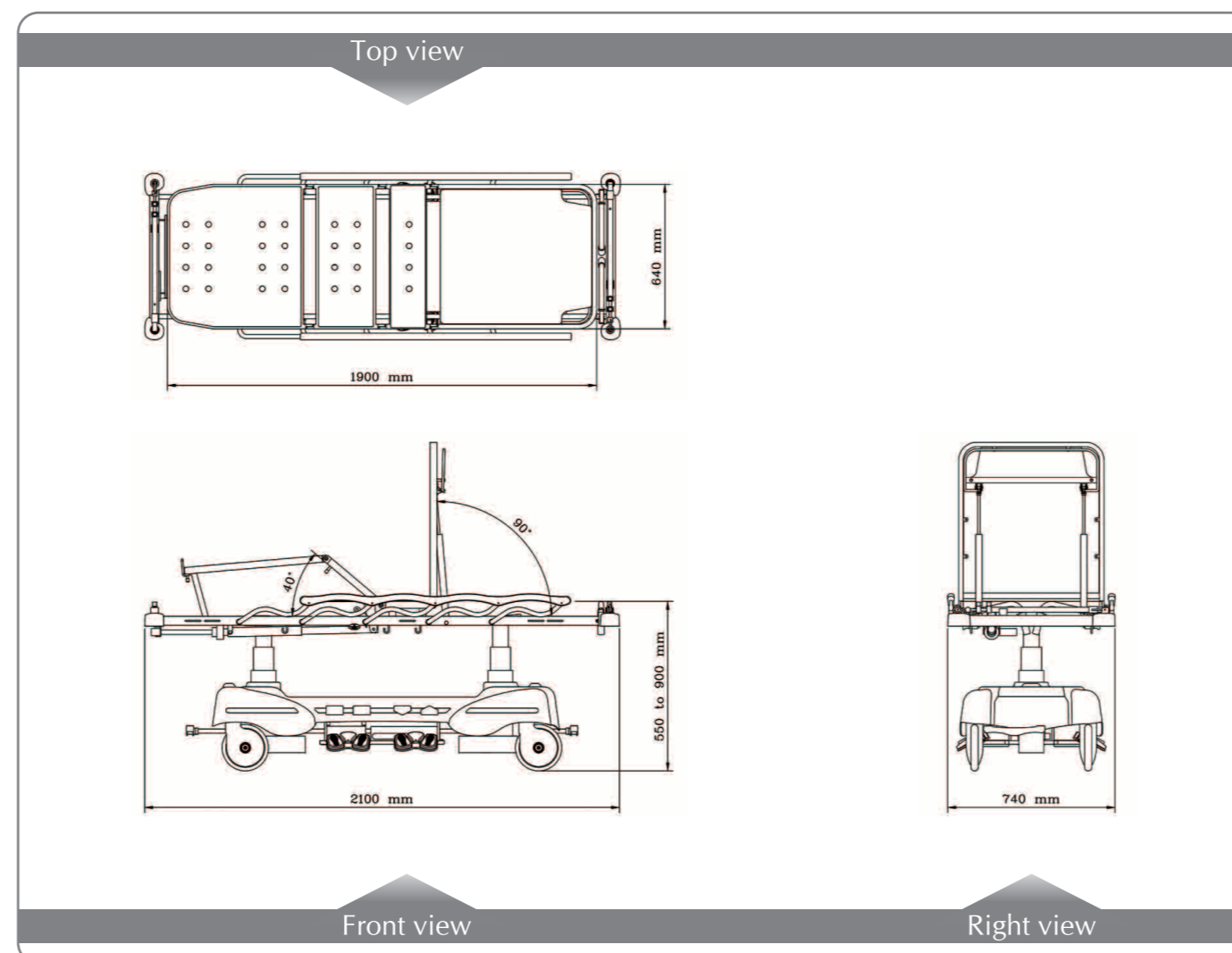
Pull out the knob before folding down Siderail to ensure patient safety.

2. Accessories



Foot-End Shelf

1. Available to put on EKG Monitor or be a writingboard.
2. Easy to restore when not used.



Specification			
Dimension		Standard Accessories	
● Overall Size	L 210 x W 74 cm	● Driving Handle	1 ST
● Sleeping Surface	L 190 x W 64 cm	● Fixed I.V. Pole	2 PC
● Siderail	L 120 x H 37 cm	● Charger Set	1 ST
Positioning		● Rechargeable Battery	1 ST
● Hi-Low Range	55 - 90 cm	Optional Accessories	
● Backrest	0 - 90 °	● Mattress	● Foot-End Shelf
● Knee Gatch	0 - 40 °	● Mattress Cover	
● Trend / Reverse Trend	0 ± 18 °	● 0.5 m ³ Oxygen Tank Holder	
● Max. Weight Capacity	230 kgs (500 lbs)	● Name Card Holder	
Electric Standard		● Functional Bed Extension System	
● Voltage	220 ~ 240/100 ~ 120 VAC 50/60 Hz		

CGM reserves the right to make changes without notice in design and specification.

CGM Chang Gung Medical Technology Co., Ltd.

Headquarter: 11F., No.201-4, Dun-Hwa North Rd., Taipei 105, Taiwan, R.O.C.
Tel: 886-2-87122948 Fax: 886-2-25140620

E-mail: cgmc@cgmc.com.tw http://www.cgmc.com.tw



CGECS1012-1

CGM Electric Stretcher



Chang Gung Medical Technology Co., Ltd.



Hi-Lo Function

- Actuator with sophisticated mechanism provides a steady, durable, safe and comfortable elevation function.
- The height of beds can travel from 55cm to 90cm by stepping on the hi-low pedal located on both sides of stretcher.



Trend / Reverse Trend Function

The Trend/Reverse Trend function can travel from -18 to 18 degrees with stability and safety at any height of the stretcher.



Chair Position Function

- Able to compose Chair position.
- Various position choices offered to improve patient comfort.

Electric Stretcher (Model: CTB)

1 I.V. Pole

2-step adjustable stainless I.V. pole. (4-section)

2 Foot Position Lever

2-step Foot Position Lever enables Foot Section up to 15°.



3 Name Card Holder (Optional)

Located at the foot-end of the bed. Easy to place and replace patients' name cards.



4 Knee Position Crank

Manual crank is located at the foot-end and enables the knee section shifting from 0 to 40 degree.

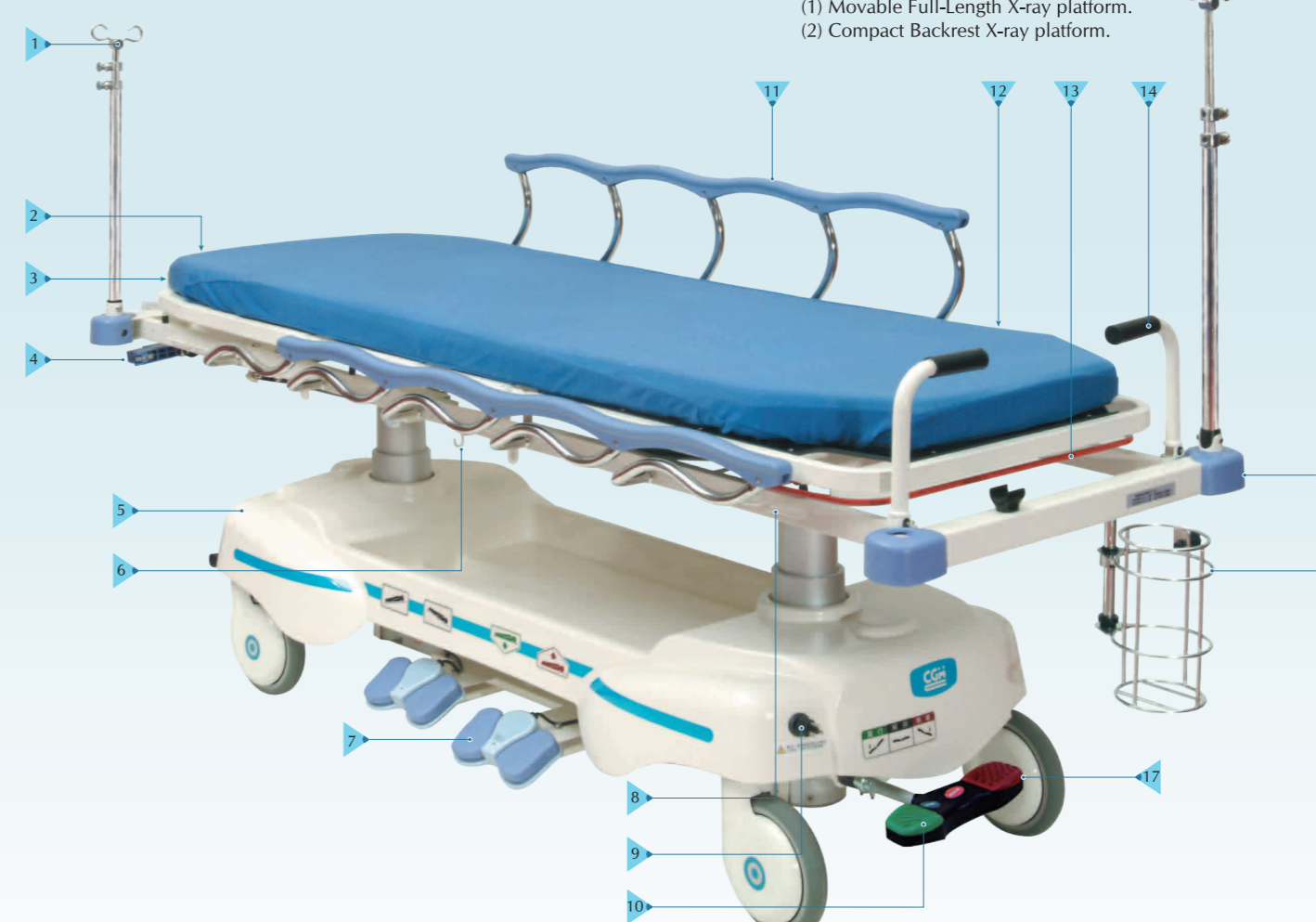


5 Base Cover

ABS Base Cover with storage bin.

11 Siderail

ABS Collapsible Siderail.



6 Drainage Bag Hook Holder

Total 6 hooks available. 3 on each side of stretchers.

7 Foot Pedal

The Hi-Lo and Trend / Reverse Trend pedal control the height and tilt positions.



12 X-ray Platform

The X-ray platform available for medical treatment in two types for choices:
(1) Movable Full-Length X-ray platform.
(2) Compact Backrest X-ray platform.

13 Back Position Handle

By dual gas-spring set below the Backrest platform, the Backrest movement is able to position from 0 to 90 degree easily.



14 Driving Handle

Driving Handle can be located at either head or foot end or both ends for easy movement purpose, and can be stored while not in demand.



15 ABS Corner Bumper

4 rounded ABS Corner Bumpers are set on each corner of the stretcher.

16 Oxygen Tank Holder (Optional)

0.5m³ Oxygen Tank Holder, located at the head section, can rotate in / out, according to medical requirement.



17 Caster

8" Central Brake Caster with Dust-Proof Cover.